

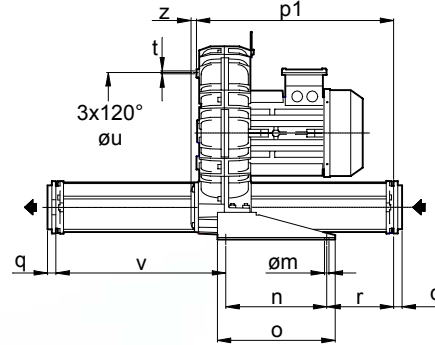
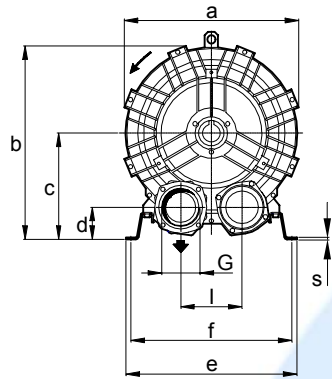


**FPZ, Inc**  
 150 N. Progress Drive  
 Saukville, WI 53080 - U.S.A.  
 Tel. (262) 268-0180  
 Fax (262) 268-0415  
 E-mail usa@fpz.com

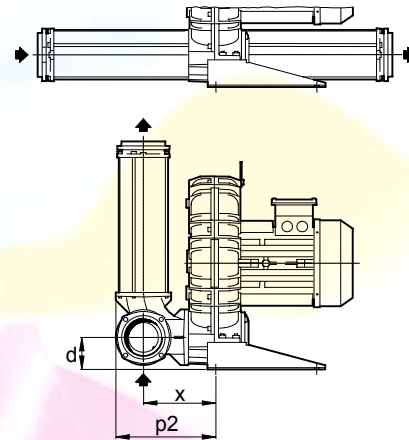
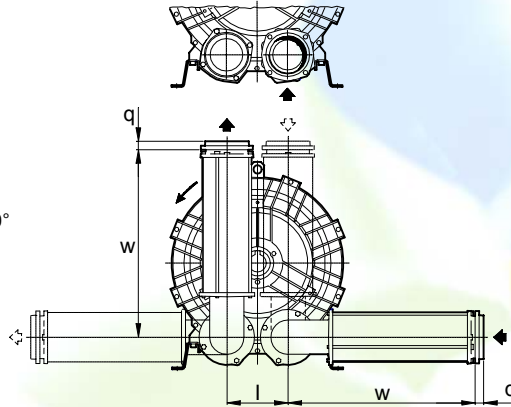
**REGENERATIVE BLOWERS - EXHAUSTERS**  
**SCL K07 / K08 / K09 / K10 / K11 / K12**

**MS SERIES - MOR RANGE**  
 SI 1821-7 1/1

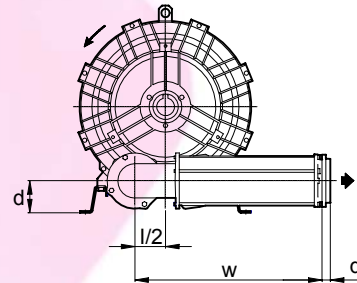
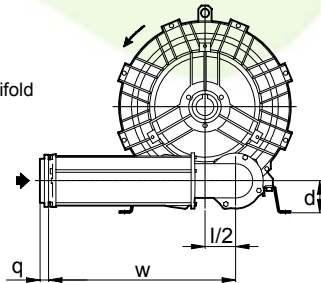
In-line silencer configuration



Configuration with 90° Manifolds (Accessory)



Configuration with 90° manifold and reduced dimensions (Accessory)



DIMENSIONS IN Inches.  
 DIMENSIONS FOR REFERENCE ONLY.

Model	a	b	c	d	e	f	G	l	m	n	o
K07-MS	16.69	18.94	10.59	3.23	18.43	17.24	3" NPT	6.10	0.51	11.81	13.78
K08-MS	17.99	19.61	10.59	3.23	18.82	17.64	3" NPT	6.10	0.51	11.81	13.78
K09-MS	19.37	22.09	12.40	3.78	20.00	18.82	4" NPT	7.17	0.51	11.81	13.78
K10-MS	20.31	22.56	12.40	3.78	20.00	18.82	4" NPT	7.17	0.51	11.81	13.78
K11-MS	21.34	23.74	13.07	3.58	21.26	20.00	4" NPT	7.87	0.51	11.81	13.78
K12-MS	21.57	23.82	13.07	3.58	21.26	20.00	4" NPT	7.87	0.51	11.81	13.78

Model	p1	p2	q	r	s	t	u	v	w	x	z
K07-MS	20.16	10.04	0.98	5.39	0.20	M8	11.61	17.44	18.94	7.20	0.63
K08-MS	20.16	10.04	0.98	5.39	0.20	M8	12.20	17.44	18.94	7.20	0.63
K09-MS	23.07	11.81	0.98	7.83	0.20	M8	14.17	19.88	21.89	8.46	0.63
K10-MS	23.07	11.81	0.98	7.83	0.20	M8	14.17	19.88	21.89	8.46	0.63
K11-MS	23.46	12.00	0.98	8.03	0.20	M8	15.35	20.08	21.89	8.66	0.63
K12-MS	23.58	12.00	0.98	8.03	0.20	M8	15.35	20.08	21.89	8.66	0.51