

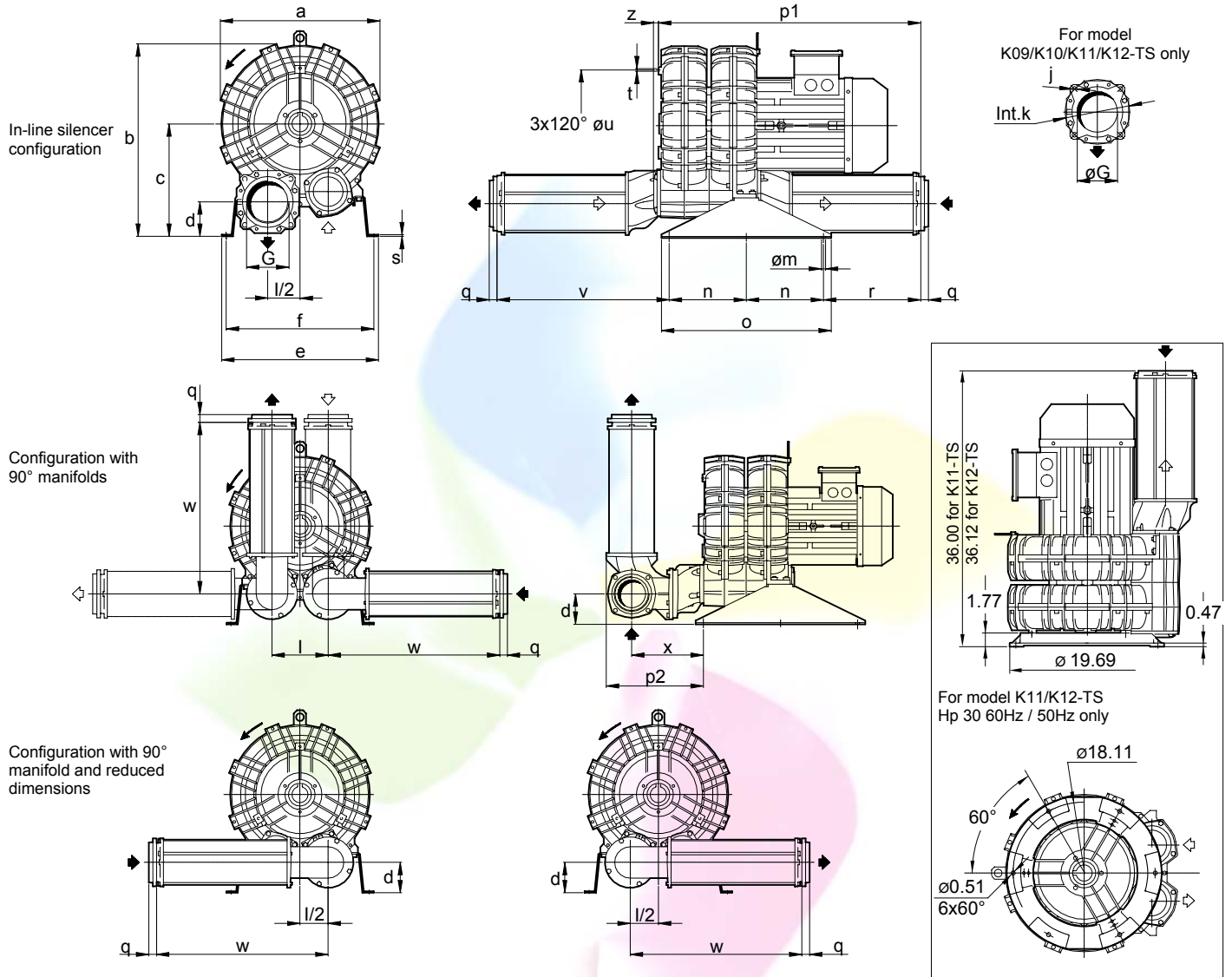


**FPZ, Inc**  
 150 N. Progress Drive  
 Saukville, WI 53080 - U.S.A.  
 Tel. (262) 268-0180  
 Fax (262) 268-0415  
 E-mail usa@fpz.com

**REGENERATIVE BLOWERS - EXHAUSTERS**  
**SCL K07 / K08 / K09 / K10 / K11 / K12**

**TS SERIES - MOR RANGE**

SI 1825-6 1/1



DIMENSIONS IN Inches.  
 DIMENSIONS FOR REFERENCE ONLY

Model	a	b	c	d	e	f	G	l	j	k	m	n
K07-TS	16.69	20.91	12.56	3.86	18.43	17.24	4" NPT	7.17	-	-	0.51	9.84
K08-TS	18.03	21.57	12.56	3.86	18.82	17.64	4" NPT	7.17	-	-	0.51	9.84
K09-TS	19.37	24.02	14.37	4.41	20.00	18.82	5.12	8.27	M16	8.27	0.51	9.84
K10-TS	20.31	24.53	14.37	4.41	20.00	18.82	5.12	8.27	M16	8.27	0.51	9.84
K11-TS	21.26	25.59	14.96	4.17	21.26	20.08	5.12	8.98	M16	8.27	0.51	9.84
K12-TS	21.57	25.66	14.96	4.17	21.26	20.08	5.12	8.98	M16	8.27	0.51	9.84

Model	o	p1	p2	q	r	s	t	u	v	w	x	z
K07-TS	21.65	31.57	12.40	0.98	11.77	0.20	M8	11.61	20.55	22.87	10.87	0.63
K08-TS	21.65	31.57	12.40	0.98	11.77	0.20	M8	12.20	20.55	22.87	10.87	0.63
K09-TS	21.65	33.46	17.60	-	12.40	0.20	M8	14.17	21.97	23.94	13.27	0.63
K10-TS	21.65	33.46	17.60	-	12.40	0.20	M8	14.17	21.97	23.94	13.27	0.63
K11-TS	21.65	34.25	18.19	-	12.60	0.20	M8	15.35	22.56	23.94	13.86	0.63
K12-TS	21.65	34.37	-	-	12.60	0.20	M8	15.35	-	-	-	0.63