



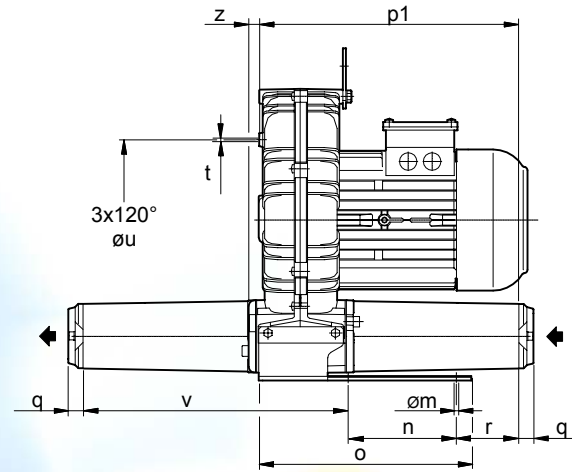
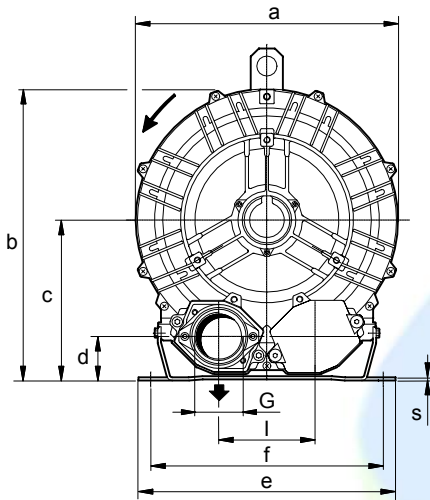
FPZ, Inc
 150 N. Progress Drive
 Saukville, WI 53080 - U.S.A.
 Tel. (262) 268-0180
 Fax (262) 268-0415
 E-mail usa@fpz.com

REGENERATIVE BLOWERS - EXHAUSTERS

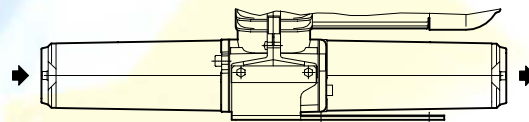
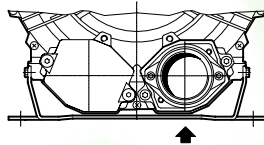
SCL K03 / K04 / K05 / K06

MS SERIES - MOR RANGE

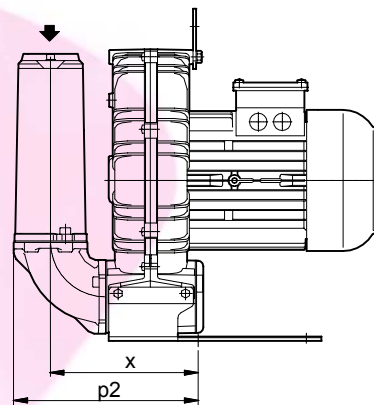
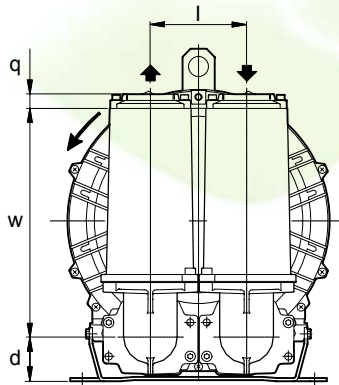
SI 1839-5 1/1



In-line silencer configuration



Configuration with 2 90° manifolds (Accessory)



DIMENSIONS IN Inches.
 DIMENSIONS FOR REFERENCE ONLY

Model	a	b	c	d	e	f	G	l	m	n	o
K03-MS	9.49	10.55	5.79	1.69	9.06	8.07	1" ¼ NPT	3.39	0.39	3.27	5.59
K04-MS	11.22	12.40	6.77	1.93	10.04	8.86	1" ½ NPT	4.02	0.47	3.74	6.73
K05-MS	12.87	14.37	7.87	2.13	12.60	10.24	2" NPT	4.72	0.59	4.53	10.43
K06-MS	14.80	15.47	8.07	2.13	12.80	11.42	2" NPT	4.92	0.59	5.51	10.71

Model	p1	p2	q	r	s	t	u	v	w	x	z
K03-MS	8.07	5.51	0.71	2.95	0.16	M6	5.51	7.09	7.40	4.17	0.47
K04-MS	8.74	6.30	0.71	2.76	0.16	M6	6.89	7.68	7.40	4.72	0.71
K05-MS	12.60	9.06	0.71	3.86	0.16	M8	7.87	12.99	11.22	7.24	0.75
K06-MS	13.15	9.61	0.71	3.35	0.16	M8	9.45	13.07	11.22	7.80	0.75