



FPZ, Inc
 150 N. Progress Drive
 Saukville, WI 53080 - U.S.A.
 Tel. (262) 268-0180
 Fax (262) 268-0415
 E-mail usa@fpz.com

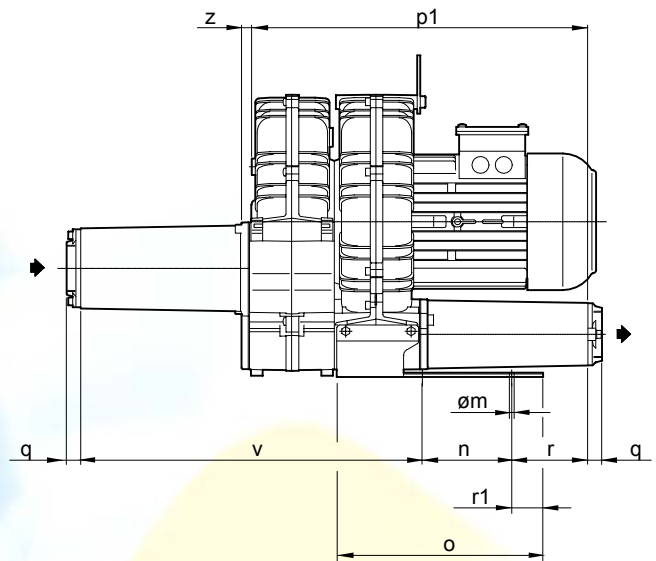
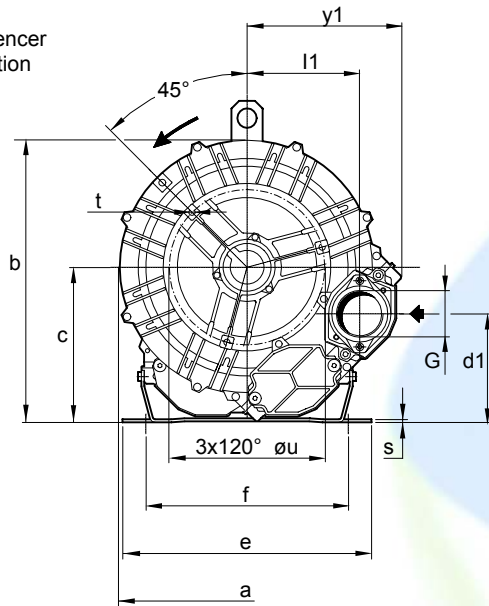
REGENERATIVE BLOWERS - EXHAUSTERS

SCL K03 / K04 / K05 / K06

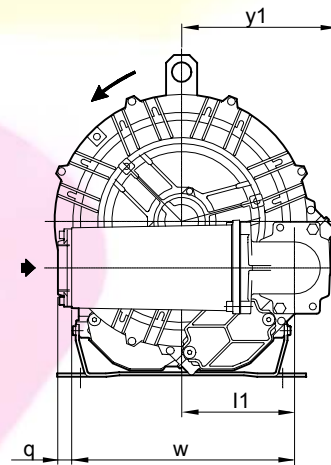
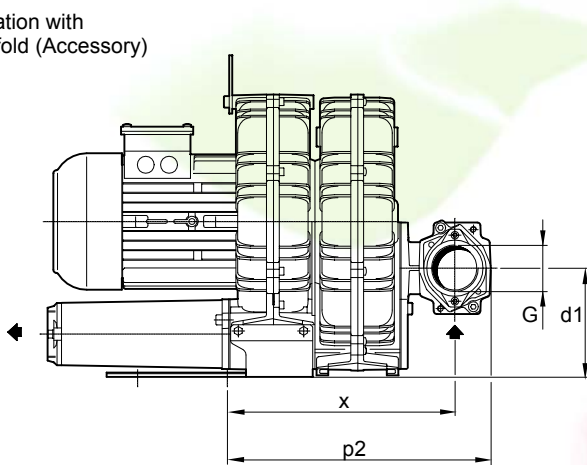
TD SERIES - MOR RANGE

SI 1864-5 1/1

In-line silencer configuration



Configuration with CK manifold (Accessory)



DIMENSIONS IN Inches.
 DIMENSIONS FOR REFERENCE ONLY.

Model	a	b	c	d1	e	f	G	l1	m	n	o	p1
K03-TD	9.49	10.55	5.79	4.09	9.06	8.07	1" ¼ NPT	4.09	0.39	3.27	5.63	8.19
K04-TD	11.22	12.40	6.77	4.76	10.04	8.86	1" ½ NPT	4.84	0.47	3.74	6.73	12.44
K05-TD	12.87	14.37	7.87	5.51	12.60	10.24	2" NPT	5.71	0.59	4.53	10.43	16.85
K06-TD	14.80	16.54	9.13	6.69	12.80	11.42	2" NPT	5.94	0.59	5.51	10.43	19.92

Model	p2	q	r	r1	s	t	u	v	w	x	y1	z
K03-TD	8.46	0.71	2.95	0.51	0.16	M6	5.51	10.04	7.40	7.09	5.55	0.47
K04-TD	10.00	0.71	2.76	0.59	0.16	M6	6.89	11.34	7.40	8.43	6.54	0.71
K05-TD	13.39	0.71	3.86	1.57	0.16	M8	7.87	17.32	11.26	11.54	7.87	0.75
K06-TD	13.94	0.71	5.35	0.75	0.16	M8	9.45	17.91	11.26	12.13	8.07	0.75