



**CK MANIFOLD**

90° aluminium manifold for "K" models supplied in a kit containing the gasket and bolts.

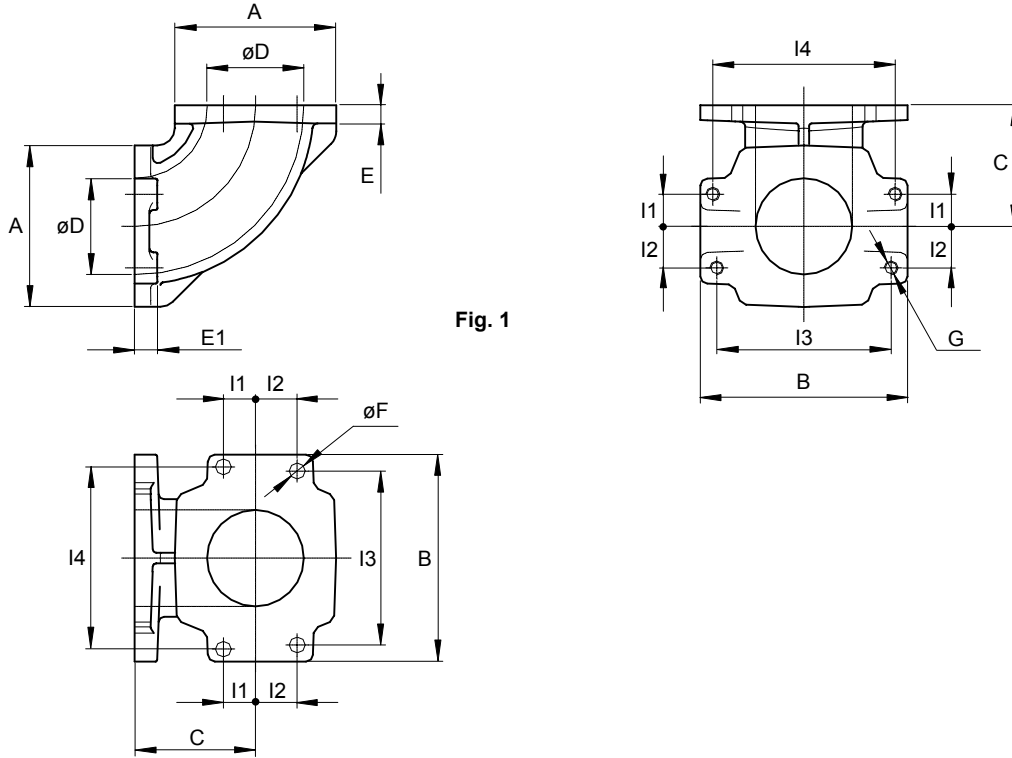


Fig. 1

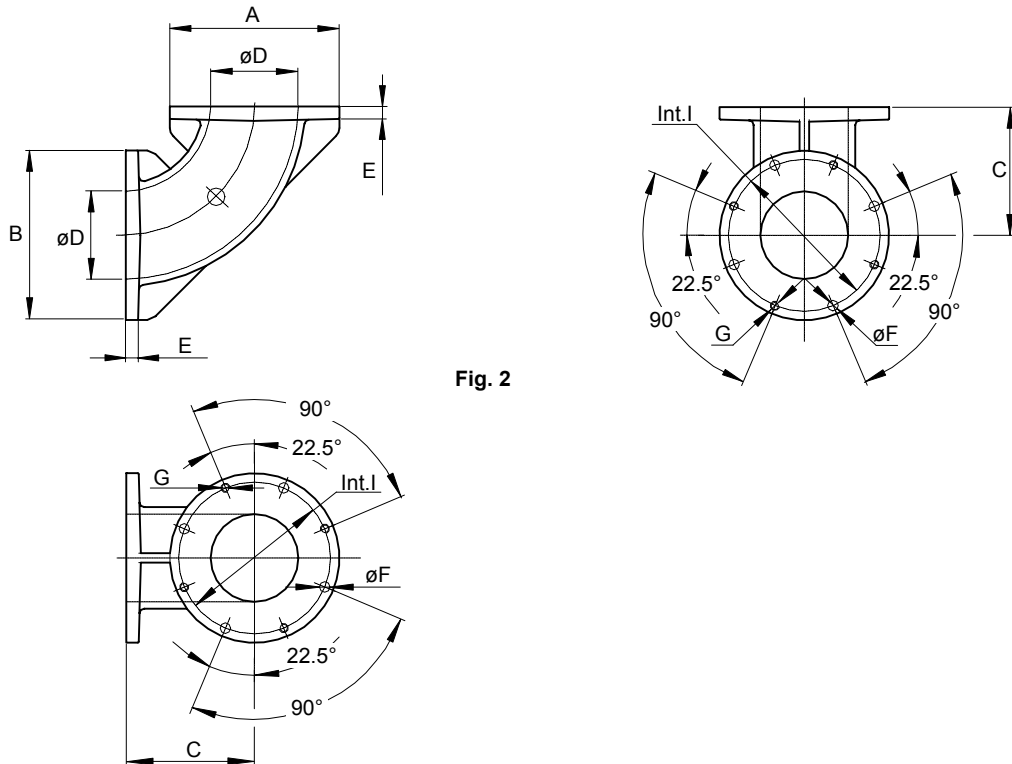


Fig. 2

TYPE	A	B	C	D	E	E1	F	G	I	I1	I2	I3	I4	Fig.
CK 4	69	84.6	56	38	7	11.5	7	M6	-	14.5	14.5	70.2	70.2	1
CK 5	80	100	56	43	7	11.5	7	M6	-	17.6	17.6	85	85	
CK 6	92	118	69	55	8.5	13	9	M8	-	18.3	23.8	99.4	104	
CK 8	ø 145	ø 145	109.5	75	10.5	-	9	M8	130	-	-	-	-	2
CK 9	ø 165	ø 165	132.5	90	10.5	-	9	M8	150	-	-	-	-	
CK10	ø 220	ø 220	192	128	10.5	-	9	M8	190	-	-	-	-	

Dimensions in mm - unbinding and can be changed without prior notice.